

## Supplementary data:

# High incidence of GJB2 gene mutations among assortatively mating hearing impaired families in Kerala: future implications

Amritkumar Pavithra, Justin Margret Jeffrey, Jayasankaran Chandru, Arabandi Ramesh and C. R. Srikumari Srisailapathy

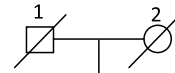
*J. Genet.* **93**, 207–213

**Table 1.** Consolidated table of *GJB2* mutation status in the eight Kerala families screened.

	Mating pattern/ID no.	Individual no. and relationship	Phenotype	<i>GJB2</i> mutation
1	D×D	IV-8 (husband)	Profound bilateral SNHL	W24X/W24X
		IV-5 (wife of IV-8)	Profound bilateral SNHL	W77X/Q124X
	TVC 22	V 8 (elder daughter of IV-8 and IV-5)	Profound bilateral SNHL	W24X/W77X
		V-9 (younger daughter of IV-8 and IV-5)	Profound bilateral SNHL	W24X/Q124X
		III-3 (father of IV-8)	Normal	W24X/wt
		IV-7 (elder sister of IV-8)	Profound bilateral SNHL	W24X/W24X
		IV-11 (younger sister of IV-8)	Normal	W24X/wt
		V-6 (daughter of IV-7)	Normal	W24X/wt
		V-10 (daughter of IV-11)	Normal	W24X/wt
		V-11 (son of IV-11)	Normal	wt/wt
2	D×D	II-7 (husband)	Profound bilateral SNHL	W24X/W24X
		II-16 (wife of II-7)	Profound bilateral SNHL	W24X/I35S
	TVC 23	III-10 (son of II-7 and II-16)	Profound bilateral SNHL	W24X/W24X
		III-11 (daughter of II-7 and II-16)	Profound bilateral SNHL	W24X/I35S
		III-17 (brother of II-16)	Normal	W24X/wt
3	D×D	IIA]10 (husband)	Profound bilateral SNHL	W24X/wt
		II-14 (wife of II-10)	Profound bilateral SNHL	wt/wt
	TVC 26	III-14 (daughter of IIA-10 and II-14)	Normal	W24X/wt
		III-15 (son of II-10 and III-14)	Normal	wt/wt
4	D×D	I-4 (mother of II-14)	Normal	wt/wt
		II-15 (husband)	Profound bilateral SNHL	wt/wt
	TVC 27	II-12 (wife of II-15)	Profound bilateral SNHL	IVS 1+1G>A/wt
		III-14 (elder daughter of II-15 and II-12)	Normal	wt/wt
		III-15 (younger daughter of II-15 and II-12)	Normal	wt/wt
		I-4 (elder brother of II-12)	Normal	wt/wt
5	D×N	III-9 (husband)	Profound bilateral SNHL	Q124X/Q124X
		III-14 (wife of III-9)	Normal	Q124X/wt
	TVC 18	IV-10 (son of III-9 and III-14)	Profound bilateral SNHL	Q124X/Q124X
		IV-11 (daughter of III-9 and III-14)	Normal	Q124X/wt
		III-1 (eldest brother of III-9)	Normal	wt/wt
6	D×N	II-12 (proband)	Profound bilateral SNHL	W24X/W24X
		III-11 (son of II-12)	Normal	W24X/wt
	TVC 22	III-12 (wife of III-11)	Normal	W24X/wt
		IV-9 (elder son of III-11 and III-12)	Profound bilateral SNHL	W24X/wt
		IV-10 (younger son of III-11 and III-12)	Normal	W24X/W24X
		III-4 (half brother of III-11)	Normal	W24X/wt
		III-3 (wife of III-4)	Normal	wt/wt
		IV-2 (elder daughter of III-3 and III-4)	Normal	wt/wt
7	D×N	II-15 (proband)	Profound bilateral SNHL	wt/wt
		II-12 (wife of II-15)	Normal	wt/wt
TVC 23	III-10 (son of II-15 & II-12)	Profound bilateral SNHL	wt/wt	
8	D×N	II-3 (proband)	Profound bilateral SNHL	W24X/wt
		II-5 (wife of II-3)	Normal	wt/wt
	TVC 28	III-2 (elder daughter of II-3 & II-5)	Normal	W24X/wt

**DXD TVC 22 (a)**

**I**



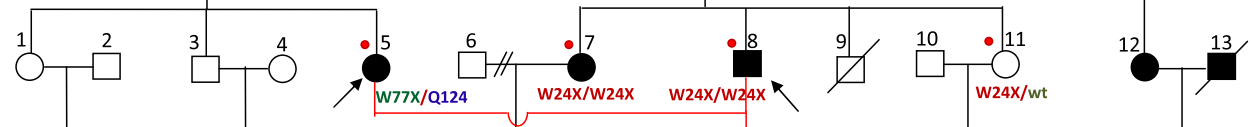
**II**



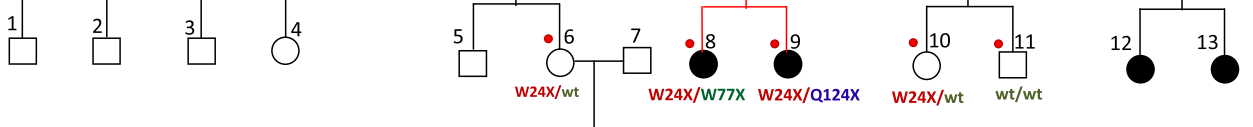
**III**



**IV**



**V**

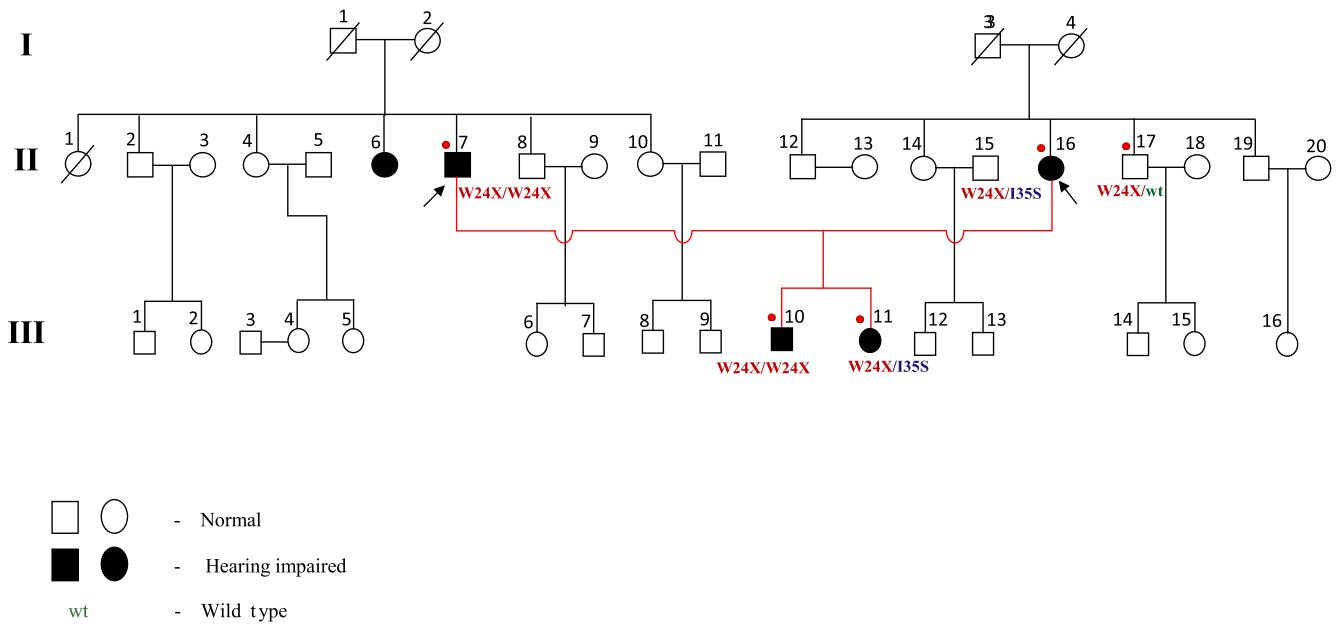


**VI**

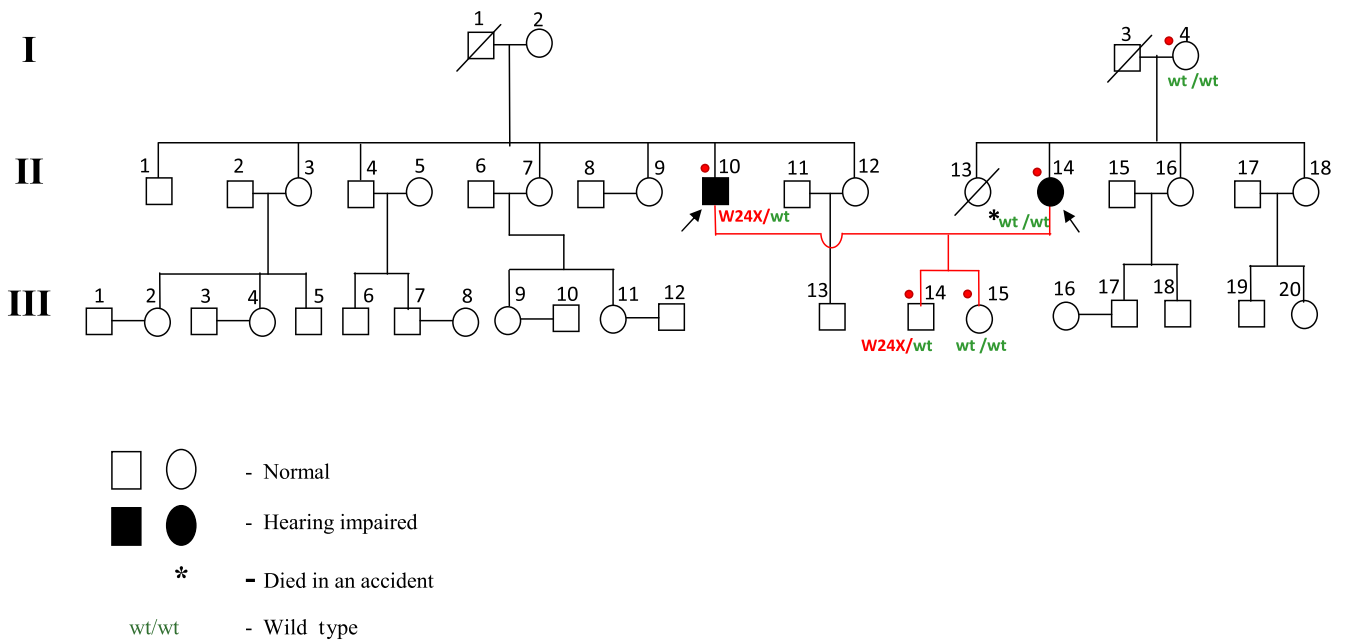


- ○ - Normal
- ● - Hearing impaired
- wt/wt - Wild type
- \* - HI with MR
- # - Died in an accident
- \*\* - MR

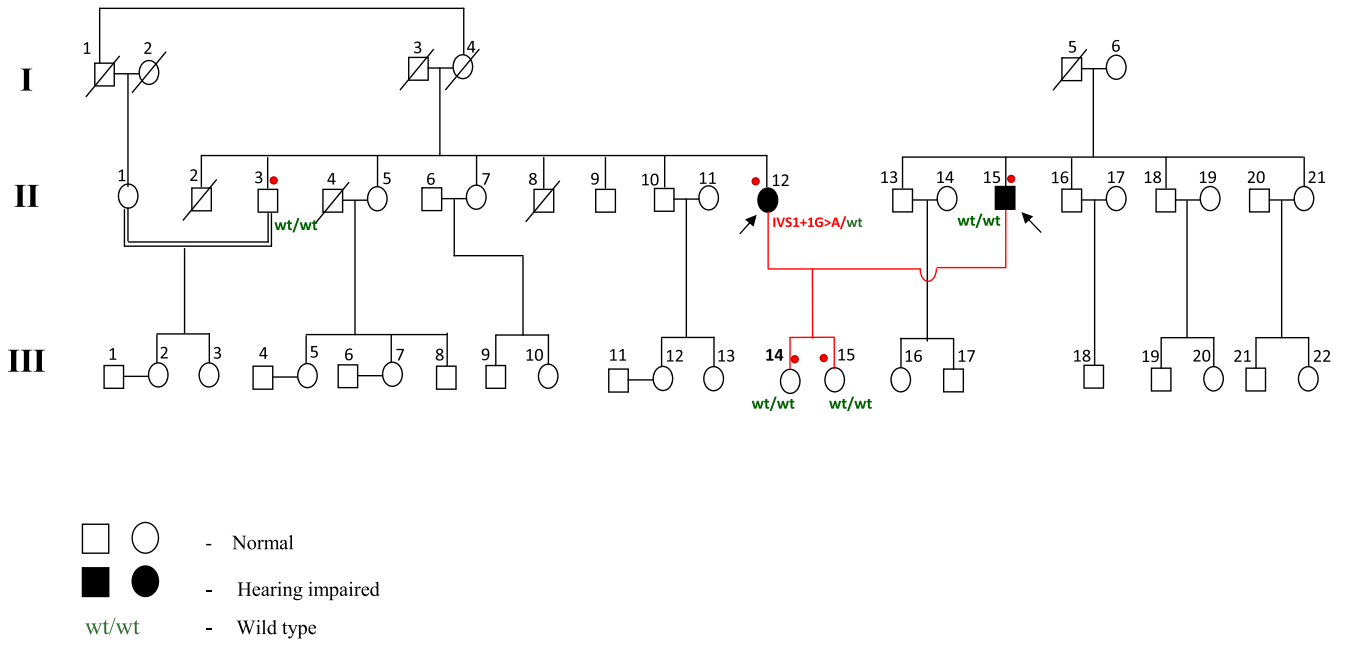
**b** DXD TVC 23



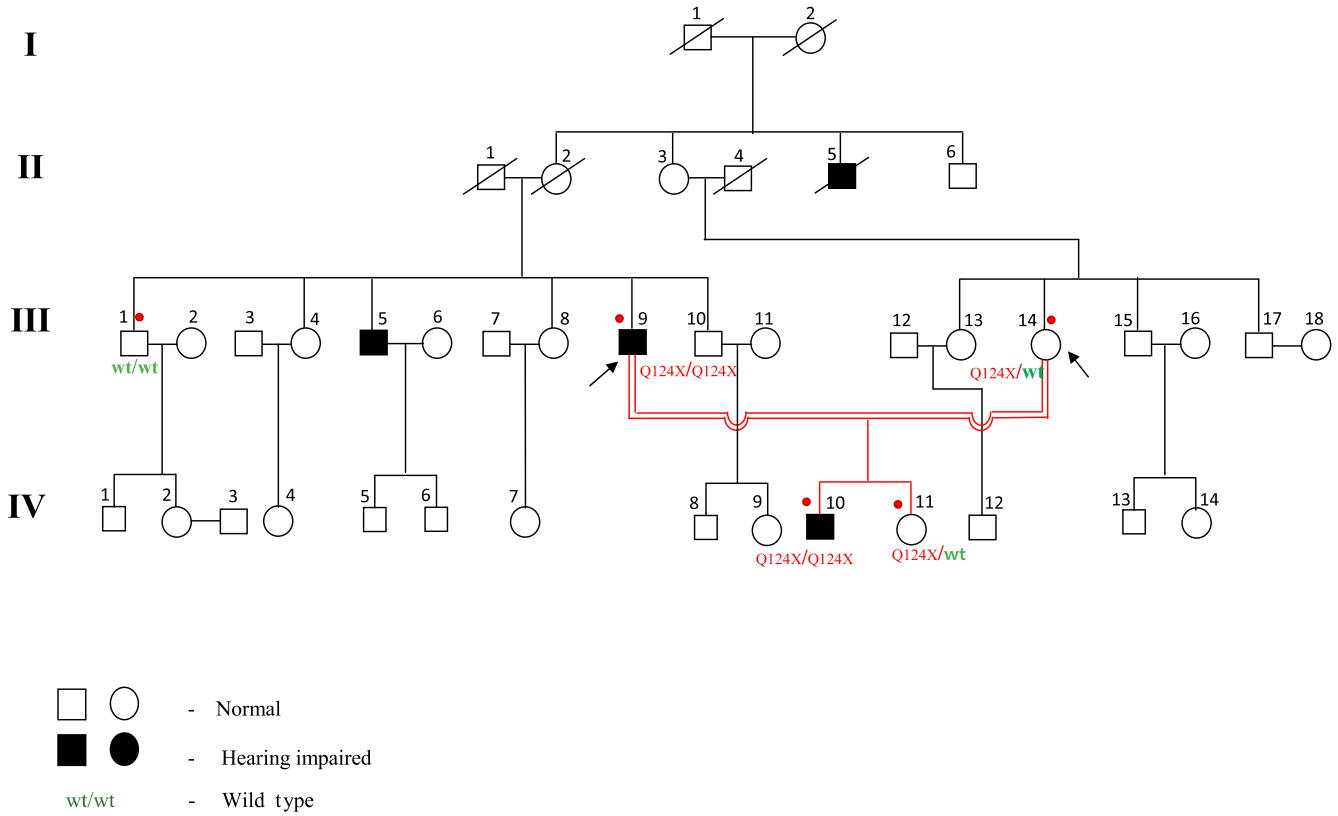
**c** DXD TVC 26



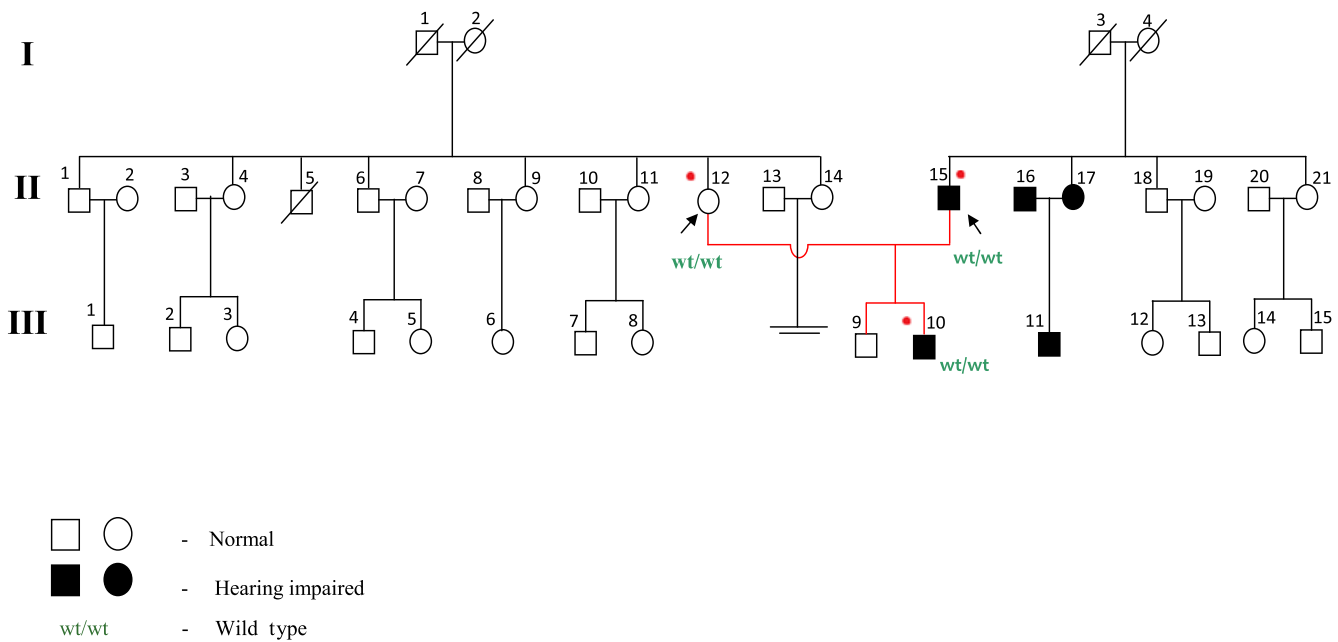
**d** DXD TVC 27



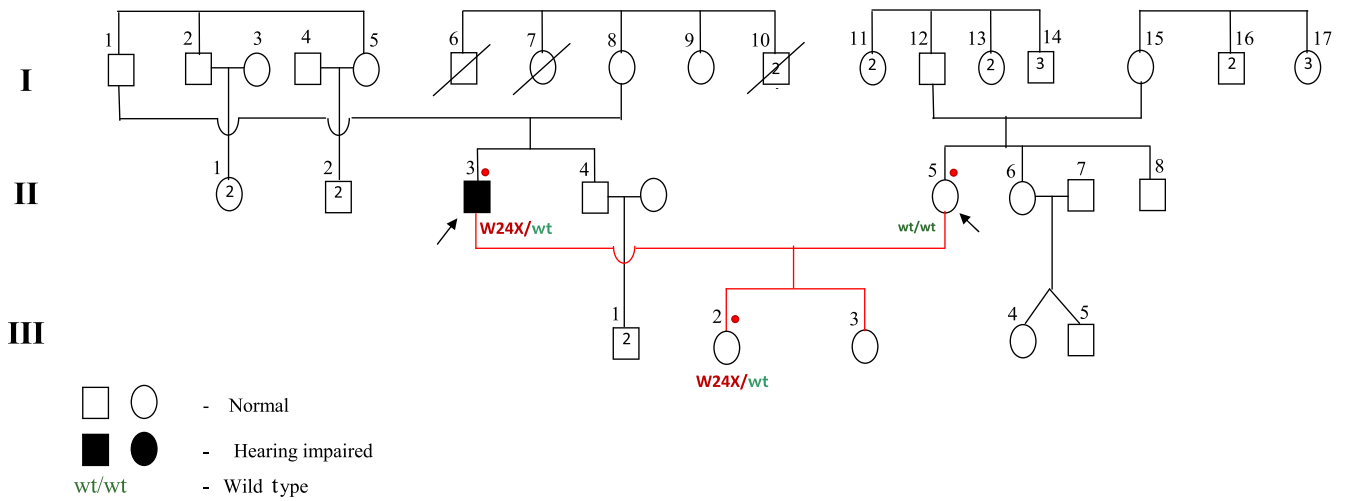
**e** DXN TVC 18



**f** DXN TVC 23



**g** DXN TVC 28



**Figure 1.** (a–g) Showing the pedigrees of D×D and D×N families.