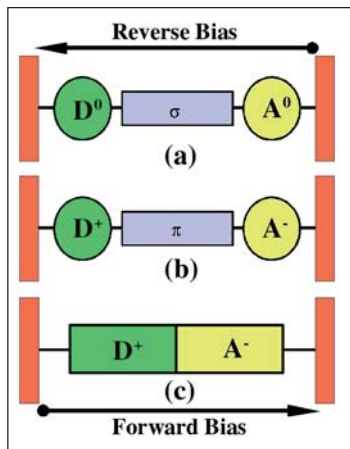


80



**SERIES ARTICLES**

**8 Snippets of Physics**  
*The Optics of Particles*  
T Padmanabhan

**19 Aerobasics – An Introduction to Aeronautics**  
*Aerodynamic Forces on Simple Bodies*  
S P Govinda Raju

**GENERAL ARTICLES**

**32 Fluid Mechanics of Fish Swimming**  
*Lift-based Propulsion*  
Jaywant H Arakeri

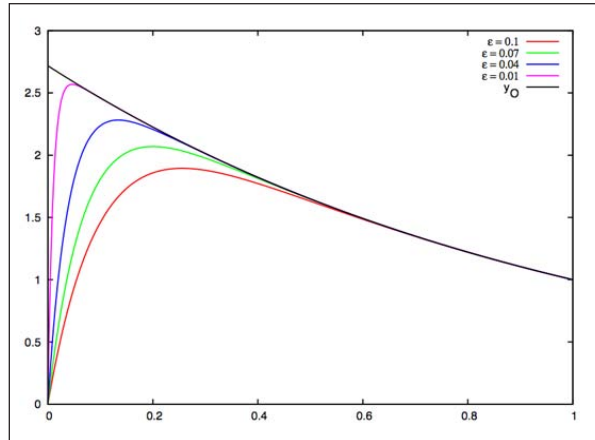
**47 Lighthill and his Art of Mathematical Modelling**  
Renuka Ravindran

**60 Life without Water**  
M K Chattopadhyay

**66 Mathematics of Risk Taking**  
K B Athreya and M G Nadkarni

32





47

**FEATURE ARTICLE**

**80 Electrical Rectification**

*A Tale of Two Isomers*

Sudipta Dutta and Swapan K Pati

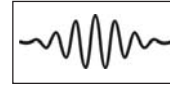
**REFLECTIONS**

**90 The Scientific Enterprise**

*Some Characteristics of Scientific Knowledge*

V V Raman

**DEPARTMENTS**



**Editorial**

*S Mahadevan* 1

**Article-in-a-Box**

Sir James Lighthill 3

*Renuka Ravindran*

**Inside Back Cover**

Flowering Trees

(Credit: K Sankara Rao, IISc)

**Front Cover**



Different modes of swimming. See article on pp.32–46.

Redrawn from Review of Fish Swimming Modes for Aquatic Locomotion, *IEEE Journal of Oceanic Engineering*, Vol.24, No.2, pp. 237–252, 1999, D M Lane, M Sfakiotakis and J B C Davies, Heriot-Watt University.

**Back Cover**



Sir James Lighthill

(1924–1998)

(Illustration: Subhankar Biswas)

